

# AT Series

## AT.BL

Electronic Metering Pump

### *Wall Mount Speed Adjustment*



### Key Features

- PVDF Pump Head
- Multi Power Supply 100÷240 Vac 50/60 Hz with reduced consumption
- Circuit Voltage Protection
- Manual Priming Valve
- Priming / Degassing Valve
- Flow Rate Adjustment through knob
- Level Signal Connection
- Anti -Seepage Sytem
- IP65 Protection
- 2 Year Warranty

### Application

AT.BL pumps provide a reliable, affordable product addition for a wide variety of applications.

Precise metering is achieved with guided double ball checks, including foot and injection assemblies.

Wall mount or optional foot mount.

ON/OFF Working mode through power on/off or with a dry level input signal.

**AT.BLLF**

FLOW RATES	PRESSURES	CC/IMP.	CONNECTIONS	STROKES/MIN.	CONSUMPTION	WEIGHT
0,4 l/h	20 bar	0,06	4x6 - 4x7	120	14 watt	3 kg
0,8 l/h	16 bar	0,11	4x6 - 4x7	120	14 watt	3 kg
1,2 l/h	10 bar	0,16	4x6 - 4x7	120	14 watt	3 kg
1,5 l/h	6 bar	0,21	4x6 - 4x7	120	14 watt	3 kg

**AT.BL1**

2,5 l/h	20 bar	0,35	4x6 - 4x7	120	14 watt	3 kg
3 l/h	18 bar	0,42	4x6 - 4x7	120	14 watt	3 kg
4,2 l/h	14 bar	0,58	4x6 - 4x7	120	14 watt	3 kg
7 l/h	8 bar	0,97	4x6 - 4x7	120	14 watt	3 kg

**AT.BL2**

3 l/h	12 bar	0,31	4x6	160	20 watt	3 kg
4 l/h	10 bar	0,42	4x6	160	20 watt	3 kg
5 l/h	8 bar	0,52	4x6	160	20 watt	3 kg
8 l/h	2 bar	0,83	4x6	160	20 watt	3 kg

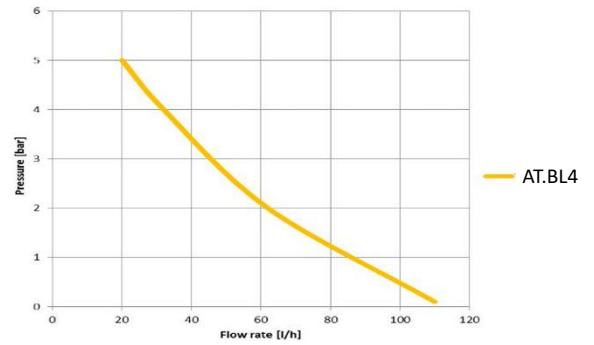
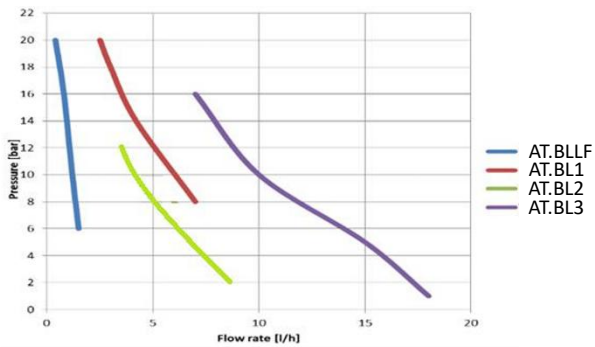
**AT.BL3**

7 l/h	16 bar	0,39	4x6	300	40 watt	4 kg
10 l/h	10 bar	0,56	4x6	300	40 watt	4 kg
15 l/h	5 bar	0,83	4x6	300	40 watt	4 kg
18 l/h	1 bar	1,00	4x6	300	40 watt	4 kg

**AT.BL4**

20 l/h	5 bar	1,11	8x12	300	40 watt	4 kg
32 l/h	4 bar	1,78	8x12	300	40 watt	4 kg
62 l/h	2 bar	3,44	8x12	300	40 watt	4 kg
110 l/h	0,1 bar	6,11	8x12	300	40 watt	4 kg

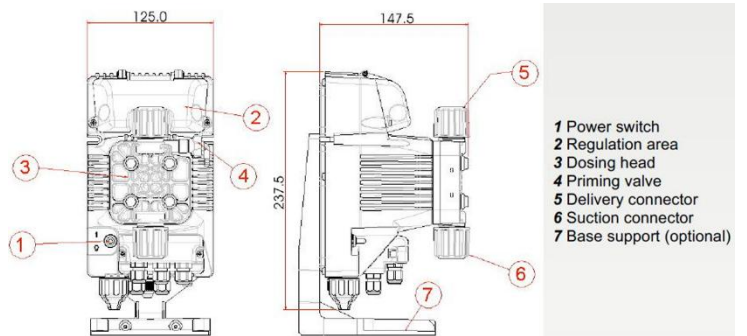
PERFORMANCES TEST HAS BEEN DONE  
AT AMBIENT TEMPERATURE, WITH  
WATER, AT 1,5 mt SUCTION HEIGHT



### Installation kit included with pump



### Dimensional drawing



## Accessories

