

AT Series

AT.BT

Electronic Metering Pump

Wall Mount Speed Adjustment



Key Features

- PVDF Pump Head
- Multi Power Supply 100÷240 Vac 50/60 Hz with reduced consumption
- Circuit Voltage Protection
- Manual Priming Valve
- Priming / Degassing Valve
- Digital Flow Rate Adjustment
- Level Signal Connection
- Anti -Seepage Sytem
- IP65 Protection
- 2 Year Warranty

Application

AT.BT pumps provide a reliable, affordable product addition for a wide variety of applications.

Precise metering is achieved with guided double ball checks, including foot and injection assemblies.

Wall mount or optional foot mount.

Timer version with display

Daily and weekly programming, max. 10 programmes in which time, quantity and dosing time can be set

PERFORMANCES TEST HAS BEEN DONE
AT AMBIENT TEMPERATURE, WITH
WATER, AT 1,5 mt SUCTION HEIGHT

AT.BTLF

FLOW RATES	PRESSURES	CC/IMP.	CONNECTIONS	STROKES/MIN.	CONSUMPTION	WEIGHT
0,4 l/h	20 bar	0,06	4x6 - 4x7	120	14 watt	3 kg
0,8 l/h	16 bar	0,11	4x6 - 4x7	120	14 watt	3 kg
1,2 l/h	10 bar	0,16	4x6 - 4x7	120	14 watt	3 kg
1,5 l/h	6 bar	0,21	4x6 - 4x7	120	14 watt	3 kg

AT.BT1

2,5 l/h	20 bar	0,35	4x6 - 4x7	120	14 watt	3 kg
3 l/h	18 bar	0,42	4x6 - 4x7	120	14 watt	3 kg
4,2 l/h	14 bar	0,58	4x6 - 4x7	120	14 watt	3 kg
7 l/h	8 bar	0,97	4x6 - 4x7	120	14 watt	3 kg

AT.BT2

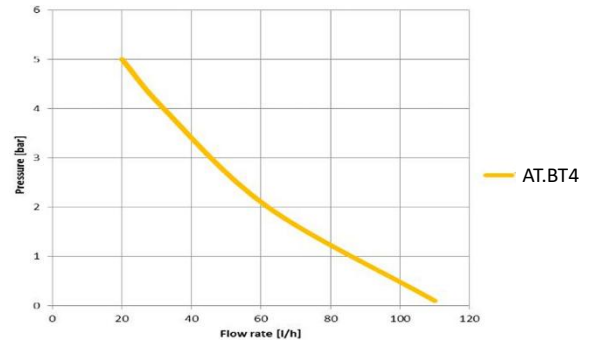
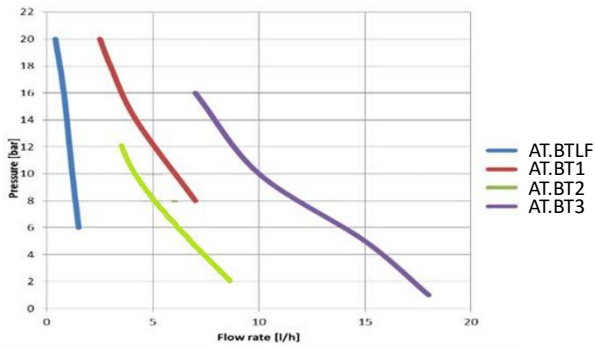
3 l/h	12 bar	0,31	4x6	160	20 watt	3 kg
4 l/h	10 bar	0,42	4x6	160	20 watt	3 kg
5 l/h	8 bar	0,52	4x6	160	20 watt	3 kg
8 l/h	2 bar	0,83	4x6	160	20 watt	3 kg

AT.BT3

7 l/h	16 bar	0,39	4x6	300	40 watt	4 kg
10 l/h	10 bar	0,56	4x6	300	40 watt	4 kg
15 l/h	5 bar	0,83	4x6	300	40 watt	4 kg
18 l/h	1 bar	1,00	4x6	300	40 watt	4 kg

AT.BT4

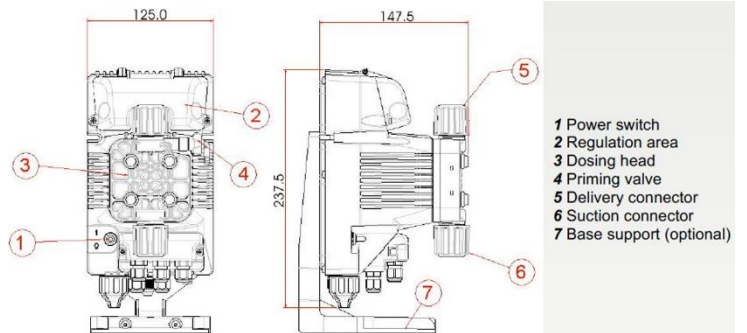
20 l/h	5 bar	1,11	8x12	300	40 watt	4 kg
32 l/h	4 bar	1,78	8x12	300	40 watt	4 kg
62 l/h	2 bar	3,44	8x12	300	40 watt	4 kg
110 l/h	0,1 bar	6,11	8x12	300	40 watt	4 kg



Installation kit included with pump



Dimensional drawing



Accessories

AC.VSA (ATHENA.1 .2 .3)	
	<ul style="list-style-type: none"> Pvdf Pump head with automatic bleed valve Flow reduction, according to the quantity of air in the liquid

AC.VM PVDF	
	<ul style="list-style-type: none"> Multifunction valve, anti-syphon, backpressure, safety PVDF body, PTFE membrane Adjustable Pressure 0-5 bar Relief Pressure 0-1.6 bar

AC.SF	
	<ul style="list-style-type: none"> PVC Flow sensor FPM Seals 4x6 / 8x12 connections

AC.SL	
	<ul style="list-style-type: none"> Floating level probe with bipolar cable (2 mt) with support

AC.ST	
	<ul style="list-style-type: none"> Horizontal base mounting bracket

PRIMING AID	
	<ul style="list-style-type: none"> Capacity: 300 ml PVC body FPM seals Connections: 4x6mm - 8x12mm

AC.VIE	
	<ul style="list-style-type: none"> Extractable injection valve PVC 1/2" g.m. IN - 1/2" g.m. OUT
	<ul style="list-style-type: none"> Extractable injection valve with ball valve PVC 1/2" g.m. IN - 1/2" g.m. OUT

AC.VS	
	<ul style="list-style-type: none"> Back-pressure valve up to 10 bar PTFE diaphragm